

Brake Calipers EV 028 FEM and EH 028 FEM

spring activated – electromagnetically released



| Features | Code |
|---|--------|
| Brake Caliper with electromagnet | E |
| Mounting to the machine parallel or at right angles to the brake disc | V H |
| Frame size 028 | 028 |
| Spring activated | F |
| Electromagnetically released | E |
| Manual adjustment to accommodate friction block wear | M |
| Supply voltage 220 to 240 VAC | 240 |
| Supply voltage 380 to 480 VAC | 480 |
| Electromagnet mounted in central position | M |
| Thickness of brake disc 10 ... 16 mm | 12 |
| or 18 ... 26 mm | 25 |

Example for ordering

Brake Caliper EV 028 FEM, supply voltage 400 VAC, electromagnet mounted in central position, thickness of brake disc 15 mm:

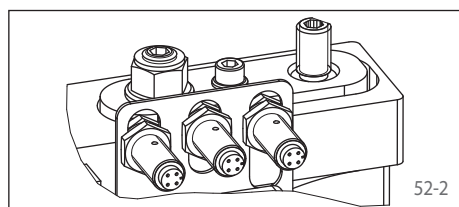
EV 028 FEM - 480 M - 12

Advantages

The brake caliper EV 028 FEM or EH 028 FEM is a very compact and high efficient disc brake with very low power consumption. Its floating bearing compensates small misalignments of the brake disc. The attached electronic reduces the power consumption in open position automatically.

Options

- Available with cCSAus approval
- Inductive proximity switch: "Brake released", "Brake closed"-status and/or "Friction block wear adjustment necessary"



Technical Data

| | Brake Calipers EV 028 FEM and EH 028 FEM with supply voltage | |
|---|--|----------------------------|
| | 220 to 240 VAC | 380 to 480 VAC |
| Brake disc diameter | Braking torque | Braking torque |
| mm | Nm | Nm |
| 300 | 940 | |
| 355 | 1 160 | |
| 430 | 1 460 | |
| 520 | 1 820 | |
| 630 | 2 260 | |
| 710 | 2 580 | |
| Clamping force | 10 000 N | |
| Clamping force or braking torque adjustable | 60 - 100% | |
| Power consumption in open position | 15 W | 19 W (100% duty factor) |
| Fuse rating | 10 A, Type "B" | |
| Max. number of actuation | 360/h permanent activations at 20° C ambient temperature | |
| Actuation frequency* | at least 8 seconds between 2 activations | |
| Weight | 24 kg | |

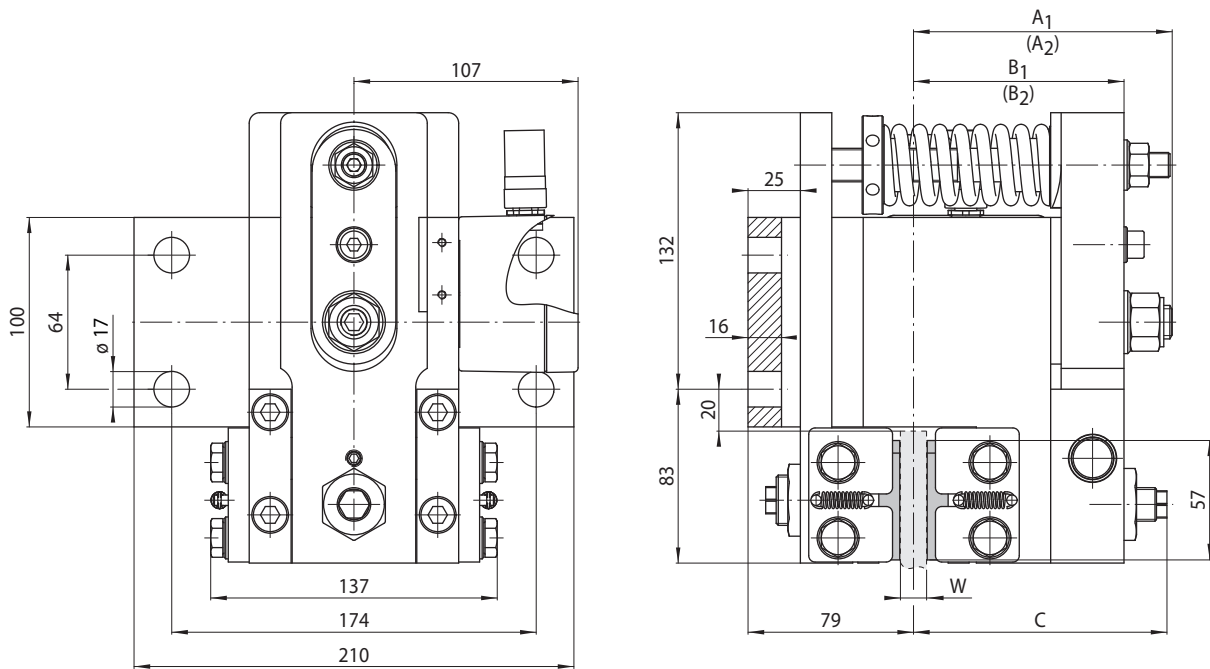
The braking torques shown in the table are based on a theoretical friction coefficient of 0,4.

* Shorter actuation frequency on request

Brake Calipers EV 028 FEM and EH 028 FEM

spring activated – electromagnetically released

Brake Caliper EV 028 FEM

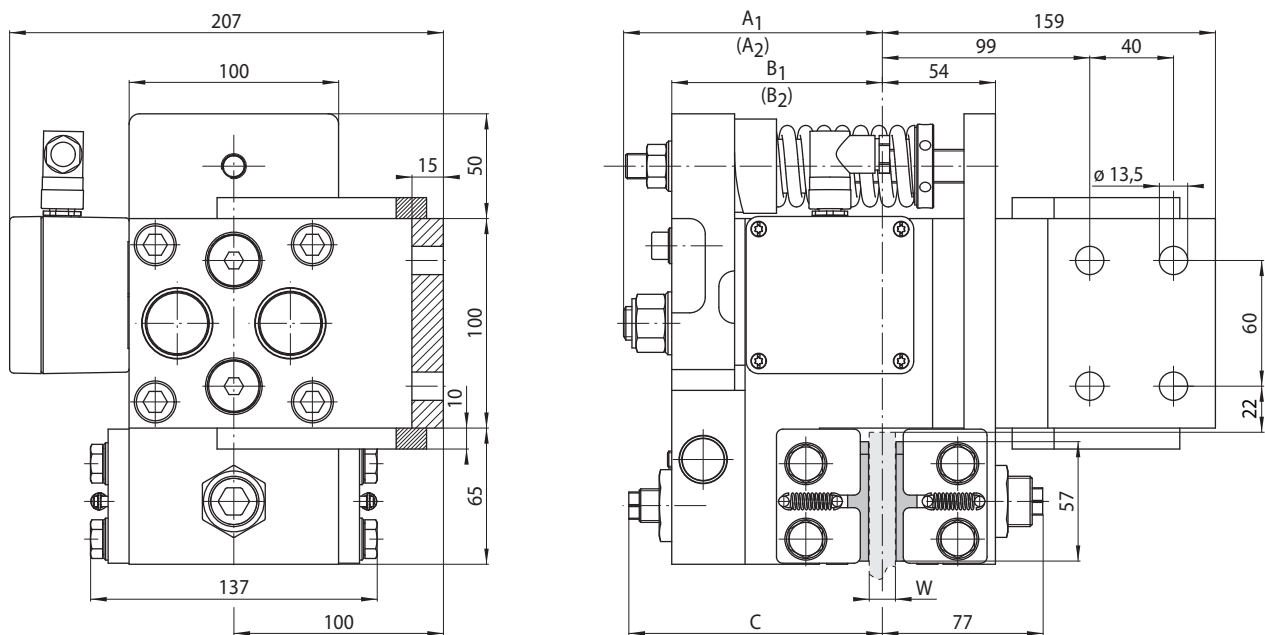


| Thickness of brake disc W mm | A ₁ mm | (A ₂) mm | B ₁ mm | (B ₂) mm | C mm |
|------------------------------------|----------------------|-------------------------|----------------------|-------------------------|---------|
| 10 ... 16 | 124 | (139) | 101 | (118) | 121 |
| 18 ... 26 | 129 | (144) | 106 | (123) | 127 |

Values in brackets resulting with friction block wear.

53-1

Brake Caliper EH 028 FEM



| Thickness of brake disc W mm | A ₁ mm | (A ₂) mm | B ₁ mm | (B ₂) mm | C mm |
|------------------------------------|----------------------|-------------------------|----------------------|-------------------------|---------|
| 10 ... 16 | 124 | (139) | 101 | (118) | 121 |
| 18 ... 26 | 129 | (144) | 106 | (123) | 127 |

Values in brackets resulting with friction block wear.

53-2