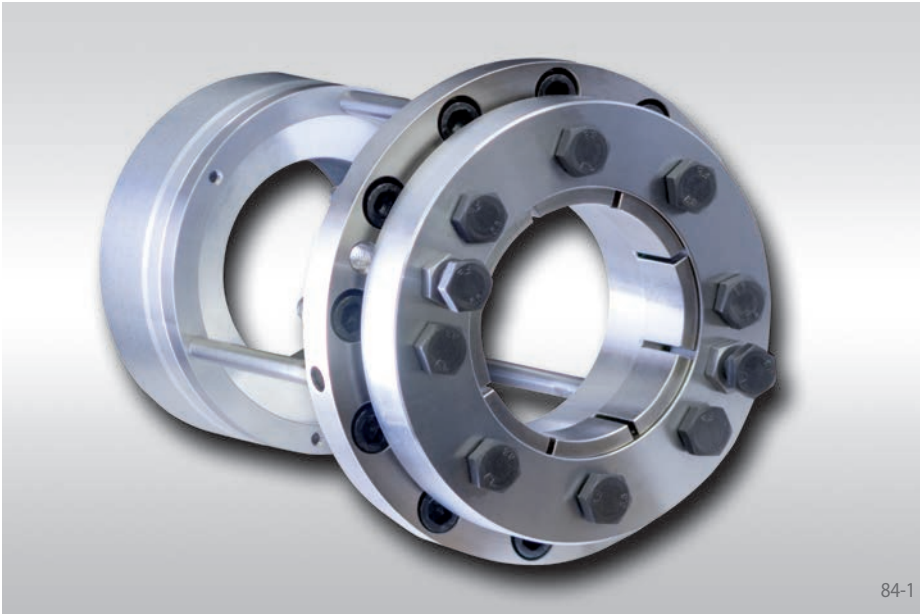


Clamping Systems RTM 607

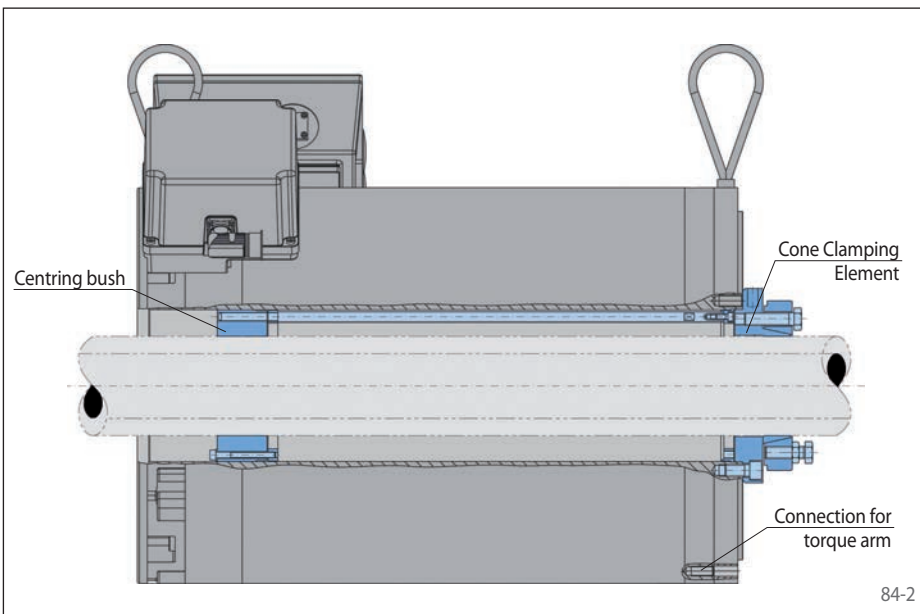
for SIEMENS complete torque motors 1FW3

for mounting and centring complete torque motors on shafts or hollow shafts



Features

- Provides a mechanical connection, support and centring between rotor and machine shaft
- Backlash free, torsion-proof transmission of torque generated by the torque motor
- High true running accuracy
- Optimally configured contact pressure prevents undesirable deformation of hollow machine shafts
- Taper Collet chemically nickel-coated to prevent fretting corrosion
- Easily removable Cone Clamping Element, even after long periods of operation
- Centring bush can be mounted from the B-side of the torque motor



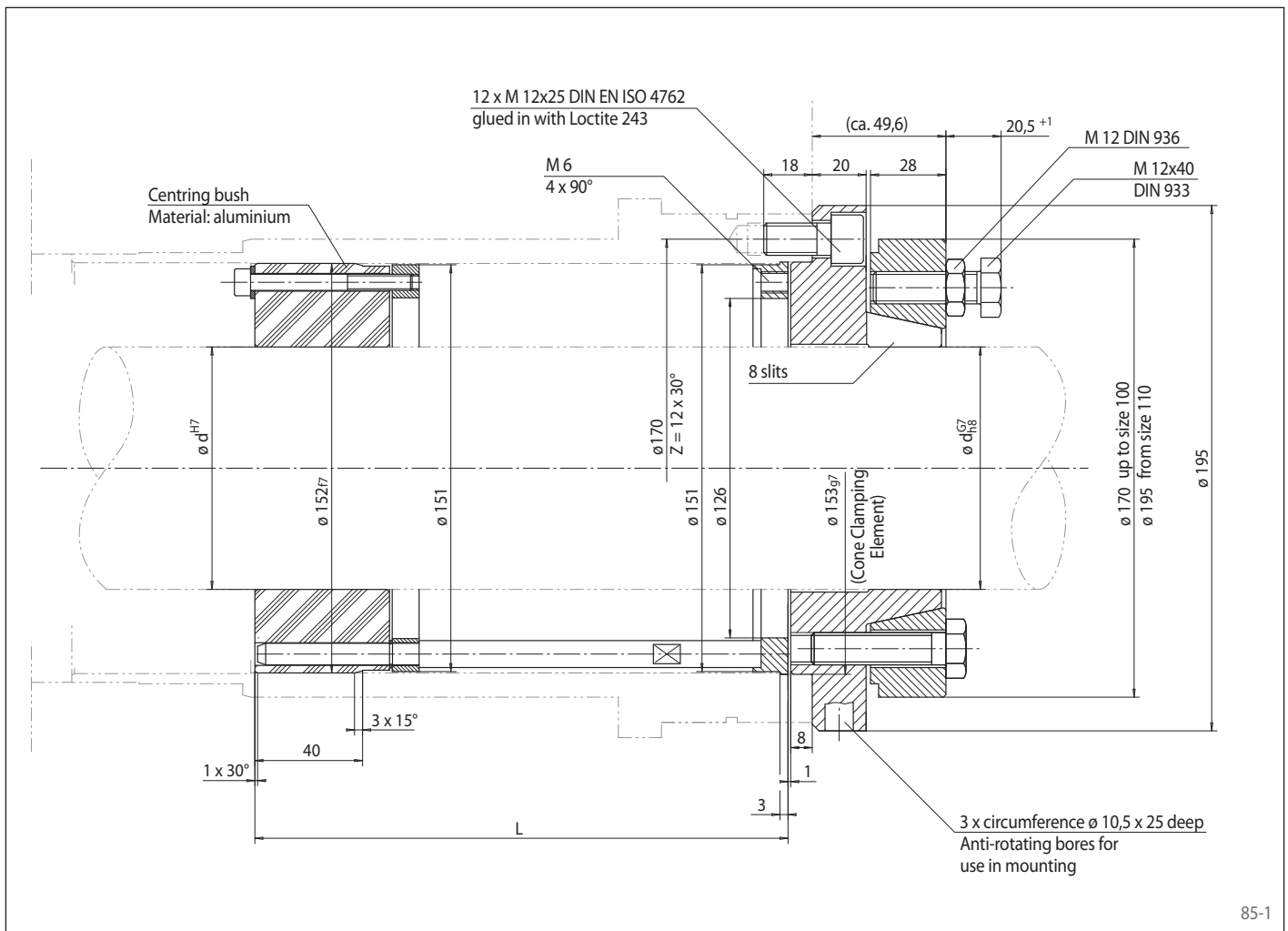
Configuration

The Clamping System RTM 607 consists of a Cone Clamping Element and a centring bush. The Cone Clamping Element ensures that motor torque is transmitted reliably to the machine shaft and centres the torque motor on the drive side. A second centring unit consisting of an aluminium centring bush ensures good overall alignment of the torque motor with the machine shaft.

The centring bush is secured in its axial position with the aid of rods and a stop ring.

for SIEMENS complete torque motors 1FW3

for mounting and centring complete torque motors on shafts or hollow shafts



85-1

Dimensions

Size	for SIEMENS complete torque motors										
	1FW3150	1FW3152	1FW3154	1FW3155	1FW3156	1FW3201	1FW3202	1FW3203	1FW3204	1FW3206	1FW3208
d mm	L mm	L mm	L mm	L mm	L mm	L mm	L mm	L mm	L mm	L mm	L mm
60											
75											
80											
90	173	230	279	331	384	152	198	244	313	406	521
100											
110											
125											

Example for ordering

Clamping System RTM 607 for SIEMENS complete torque motors 1FW3 204 for shaft 90 mm:

- RTM 607-090, L = 313 mm